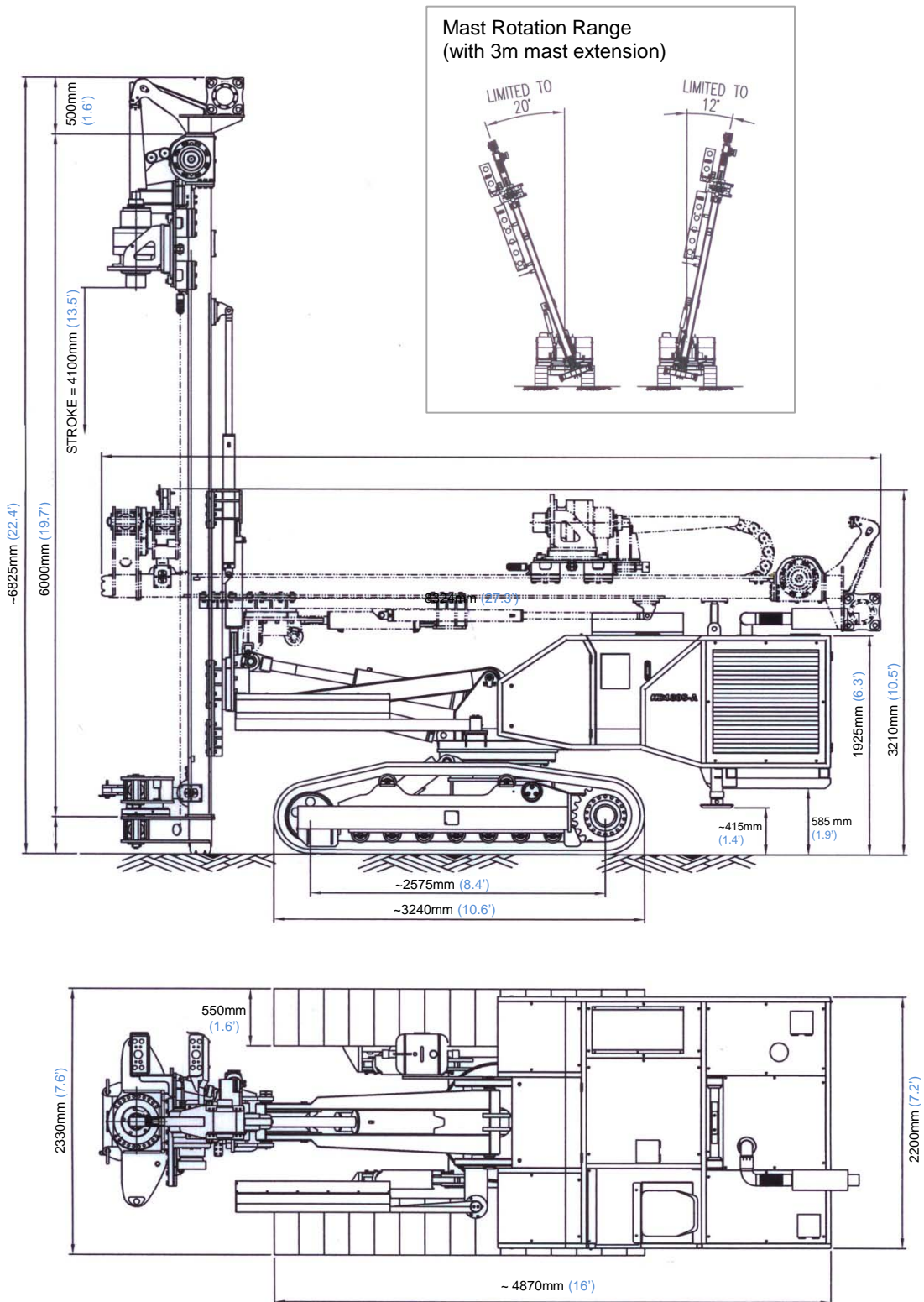


Service Weight	Approx. 13,000 kg	(28,600 lb)									
Drive	Diesel Engine Power Rating = 129 kW (173 HP) @ 2,000 rpm										
Hydraulic System	Tandem Gear Pump Max Pressure 250 Bar (3626 psi) Q1 = 168 l/min. (44.4 gpm) Q2 = 168 l/min. (44.4 gpm) Q3 = 38 l/min. (10 gpm) Q4 = 26 l/min. (6.9 gpm)										
Hydraulic Oil Tank	Capacity 415 l	(109 gal)									
Fuel Tank	Capacity 260 l	(69 gal)									
Mast And Feed Assembly	Mast Length (Standard) : 6,000 mm (19.7 ft) Stroke Length (Standard) : 4,100 mm (13.5 ft) <i>Mast Length (w/3m extension)</i> : 9,000 mm (29.5 ft) <i>Stroke Length (w/3m extension)</i> : 7,100 mm (23.3 ft) Feed Force : 8,000 kg (17,600 lb) Pullback Force : 8,000 kg (17,600 lb) Feed Speed : 0.73 m/s (143 ft/min) Retract Speed : 0.73 m/s (143 ft/min)										
Rotator (HR2400)		<table border="0"> <thead> <tr> <th></th> <th><u>Stage 1</u></th> <th><u>Stage 2</u></th> </tr> </thead> <tbody> <tr> <td>Rotary Speed :</td> <td>37 rpm</td> <td>73 rpm</td> </tr> <tr> <td>Torque :</td> <td>2,340 kgm (16,918 ft.lb)</td> <td>1,170 kgm (8,459 ft.lb)</td> </tr> </tbody> </table>		<u>Stage 1</u>	<u>Stage 2</u>	Rotary Speed :	37 rpm	73 rpm	Torque :	2,340 kgm (16,918 ft.lb)	1,170 kgm (8,459 ft.lb)
	<u>Stage 1</u>	<u>Stage 2</u>									
Rotary Speed :	37 rpm	73 rpm									
Torque :	2,340 kgm (16,918 ft.lb)	1,170 kgm (8,459 ft.lb)									
Winch	Max. Line Pull	: 2,345 kg (5,170 lb)									
Hydraulic Single Clamp	Model : MOD 179A Clamping Dia. (max.) :	406 mm (16")									
Crawler Undercarriage	Specific Ground Pressure : 0.48 kg/cm ² Max. Travelling Speed : 0-3.49 km/h Climbing Ability : 20°	(6.8 psi) (0-2.2 mph)									
Dimensions (while mast down to horizontal)	Length : 6,825 mm Width : 2,330 mm Height : 3,210 mm	(22.4 ft) (7.6 ft) (10.5 ft)									



HD180S-A